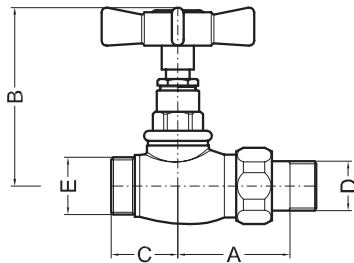


**Technical Datasheet | Technické údaje**  
**Valve Anuova | Ventil Anuova**

**General parameters | Základní parametry**

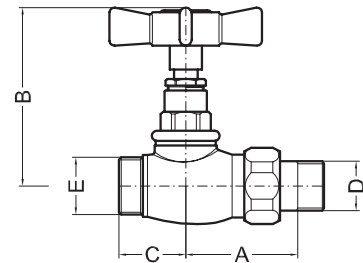
Max. working pressure	10 bar
Max. working temperature	100°C
Body material	brass EN 12165-CW617N
Connection	cooper or plastic pipes

V245



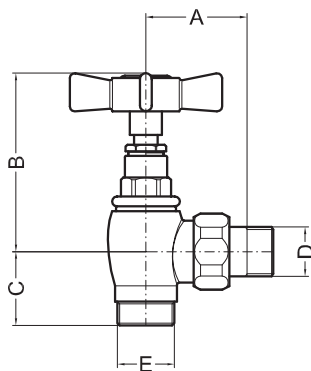
D	A	B	C	E
3/8"	47	75	28	24x19
1/2"	47	75	28	24x19

V246



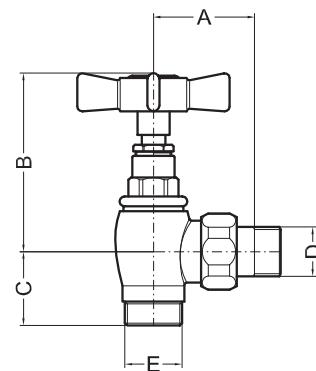
D	A	B	C	E
3/8"	47	75	28	24x19
1/2"	47	75	28	24x19

V241



D	A	B	C	E
3/8"	42	75	31	24x19
1/2"	42	75	31	24x19

V242



D	A	B	C	E
3/8"	42	75	31	24x19
1/2"	42	75	31	24x19